

CPS LED LIGHTING

Applications:

Garages

Underground parking lots

Gas stations

Service stations



Canopy Garage Light

The Canopy Garage Light is designed to be reliable and efficient in large spaces, with a large viewing angle and an IP65 waterproof rating.

While also cost efficient, this fixture is easy to install and operate, with a long life span and instant activation.

ORDER INFORMATION

SERIES	WATTAGE (W)	VOLTAGE UL = 110-277V	KELVIN 50=5000K
CPS-CL-GL-	35W-	UL-	40
			50
EXAMPLE: CPS-CL-GL-35W-UL-50			
DLC Model# CPS-CL-GL-35W-UL-50			

SPECIFICATIONS

UL, CUL, DLC Certificate
High CRI
IP65 internal driver, input voltage 100-277 VAC
No UV or IR in the beam
Easy to install and operate
Energy saving, long life span
Instant start, no flickering, no humming
Green and eco-friendly, without mercury



CPS LED LIGHTING

843-407-6803

SALES@CPSLED.COM

WWW.CPSLED.COM

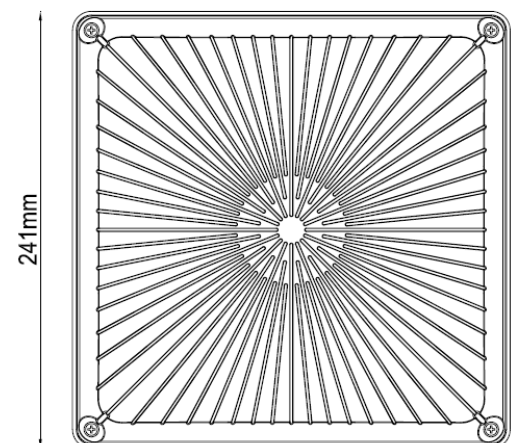
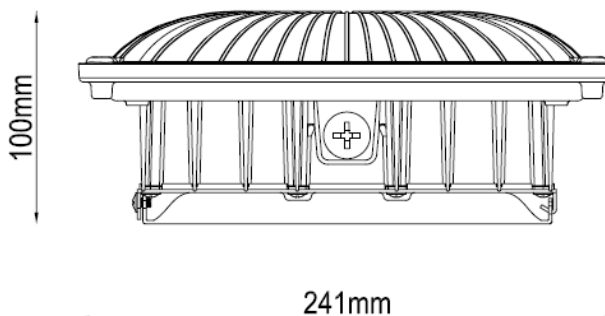
CPS LED LIGHTING

TECHNICAL CHARACTERISTICS

Color temperature	4000K, 5000K
Input voltage	100-277 VAC 50/60Hz
Lumens	3600-3900 LM
Waterproof rating	IP65
CRI	>70
PFC	>0.9
Viewing angle	150°
Operating temperature	-4°F to 113°F
Operating humidity	20%-90% RH
Storage temperature	-4°F to 176°F
Storage humidity	10%-95%
Application	Indoor/Outdoor
Product Dimensions (Inches)	9.48*9.48*3.93
L70 Life	Projected 50,000 hours
Warranty	10 years

MATERIALS

Housing	Aluminum
Housing color	White
Cover	Striped



CPS LED LIGHTING

843-407-6803

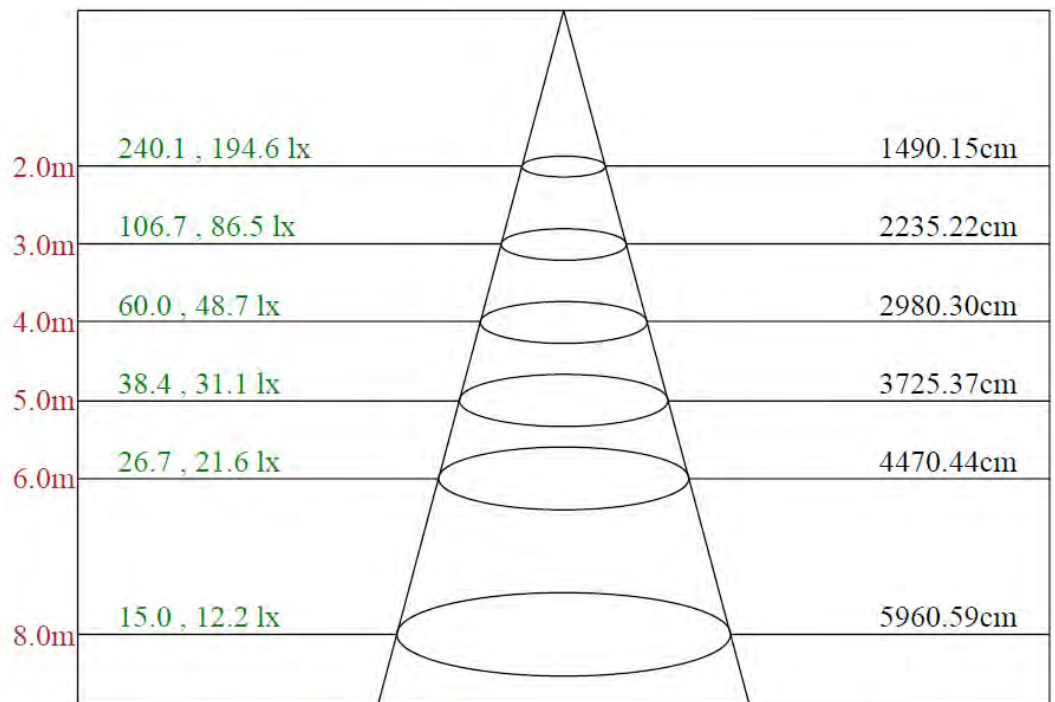
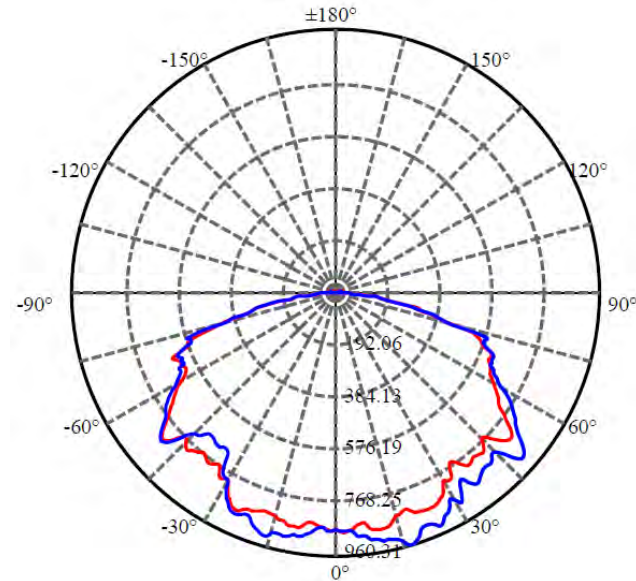
SALES@CPSLED.COM

WWW.CPSLED.COM

CPS LED LIGHTING

Photometric:

Lumens(lm): 3754.61
 Efficiency(%): 0.00%
 Lumens(lm)/Power(W): 113.09
 Central intensity(cd): 865.340
 Maximum intensity(cd): 960.315
 Angle of maximum intensity: C=90.0 γ =17.0
 Beam Angle(50%Imax): [C0/180]Total=149.2
 [C90/270]Total=148.7
 Field angle(10%Imax): [C0/180]Total=171.5
 [C90/270]Total=170.9
 Maximum s/h(1/2): C0_180=1.35 C90_270=1.53
 Maximum s/h(1/4): C0_180=1.69 C90_270=1.75
 Up flux rate of lamp(%): 0.00%
 Down flux rate of lamp(%): 0.00%
 Up flux rate of LUM(%): 0.75%
 Down flux rate of LUM(%): 99.25%
 CIE Type : Direct lighting
 Output flux ratio in π solid angle : 67.484%



Max , Ave Beam angle of C90plane149.94



CPS LED LIGHTING

843-407-6803

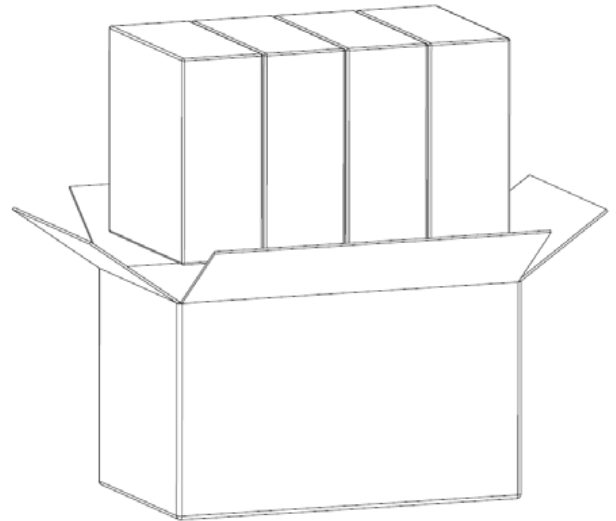
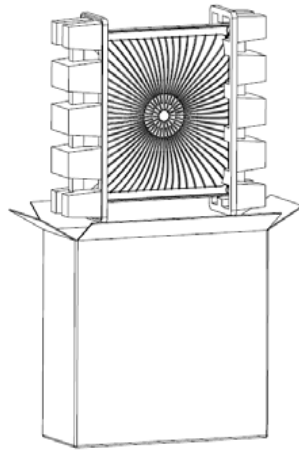
SALES@CPSLED.COM

WWW.CPSLED.COM

CPS LED LIGHTING

PACKAGING INFORMATION

MODEL	WATTAGE (W)	PRODUCT DIMENSIONS (Inches)		QTY/CTN	N.W (lbs)
CPS-CL-GL-	35W	Inner Box	11.41*4.72*11.61	1	5.29
		Outer Box	20.07*12.40*12	4	23.8



CPS LED LIGHTING
843-407-6803
SALES@CPSLED.COM
WWW.CPSLED.COM

NOTICE FOR USER

Please turn off power before installing or changing assembly parts.
The input voltage and lamps should be matched, after connecting the power line.
Please make sure the wiring section is insulated.